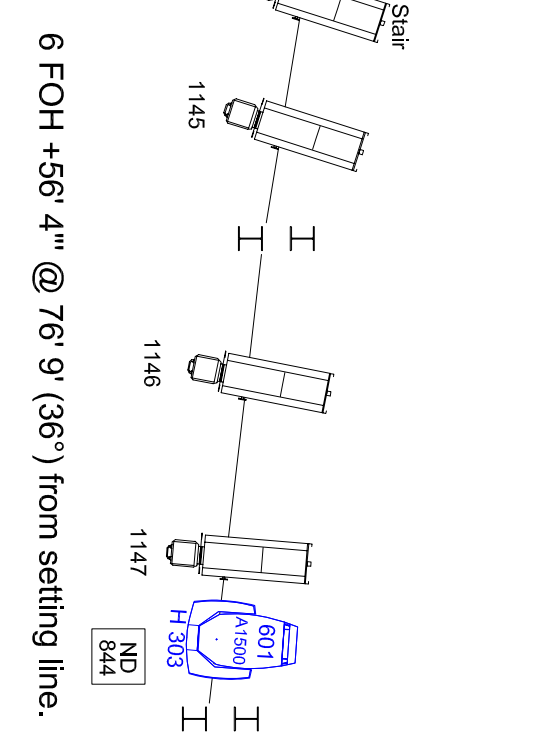
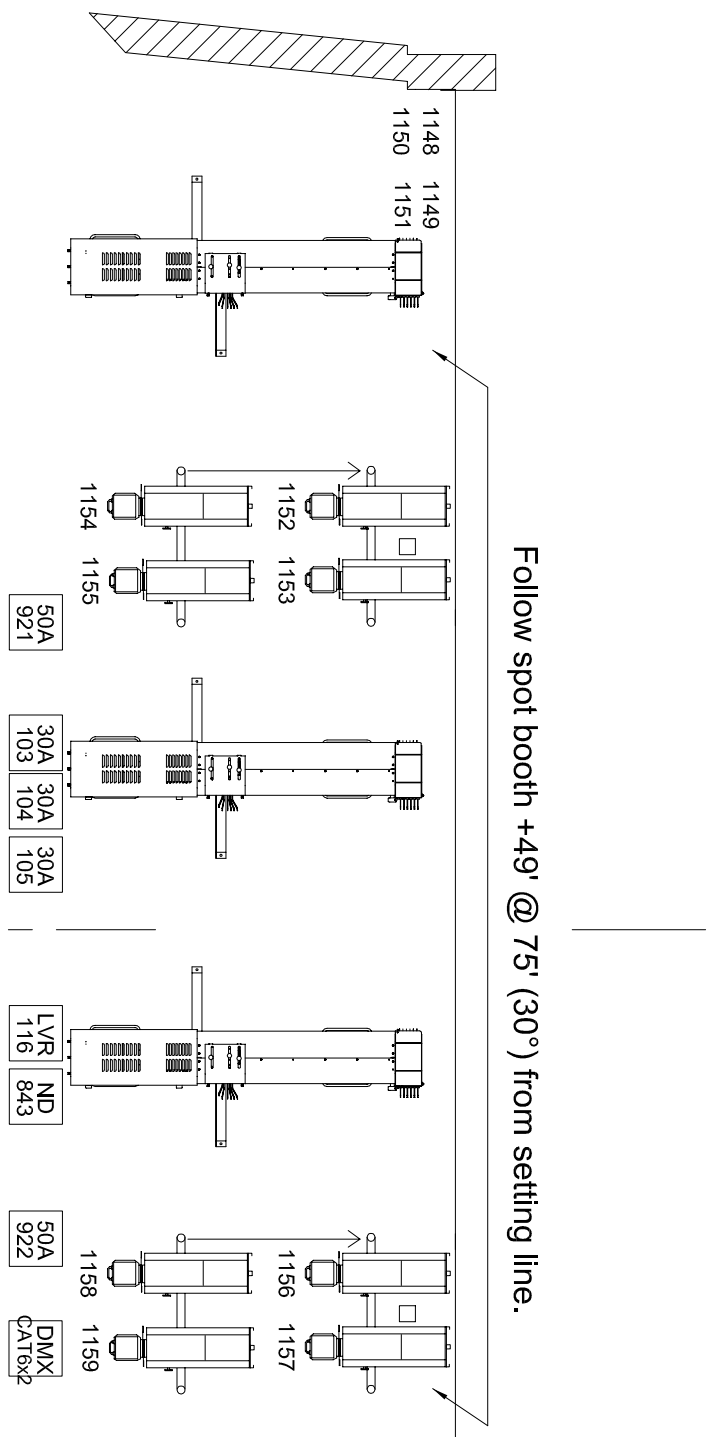


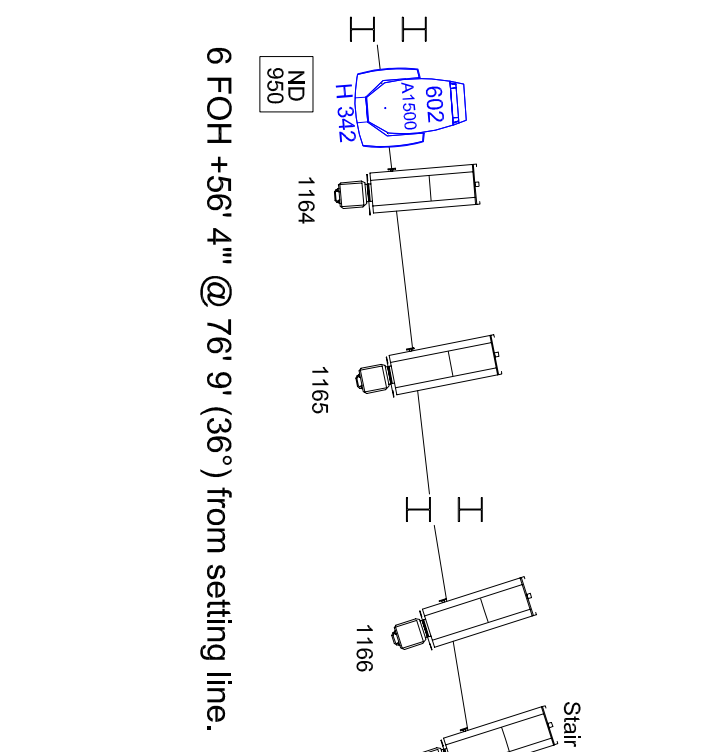
Second Balcony Terrace Rail HL +23' 8" @ 77' 3" (17') from setting line.



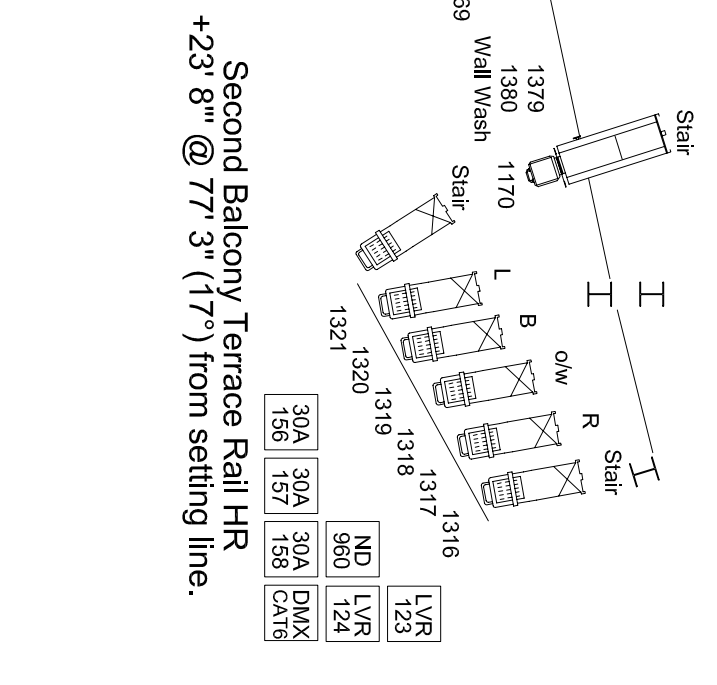
6 FOH +56' 4" @ 76' 9" (36') from setting line.



Follow spot booth +49' @ 75' (30') from setting line.



6 FOH +56' 4" @ 76' 9" (36') from setting line.



Second Balcony Terrace Rail HR +23' 8" @ 77' 3" (17') from setting line.

